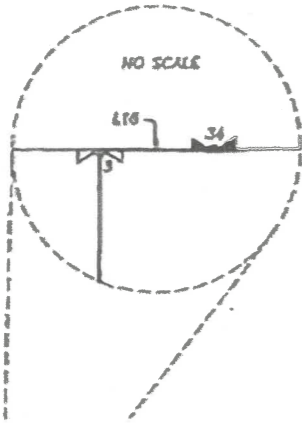


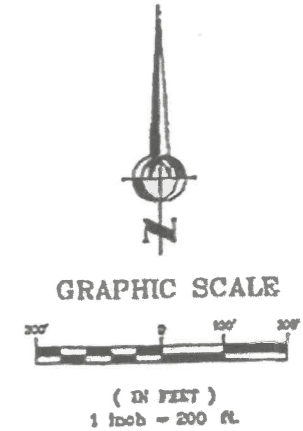
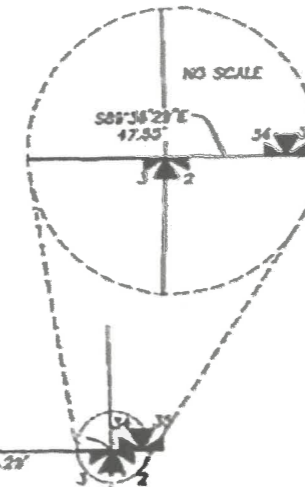
FAMILY FARM SEGREGATION SURVEY

PORTIONS OF SECTION 3,
TOWNSHIP 19 NORTH, RANGE 14 EAST, W.M.,
KITITAS COUNTY, WASHINGTON.



RECEIVED
MAR 02 2026

Kittitas County CDS



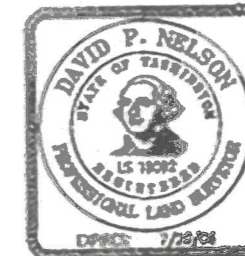
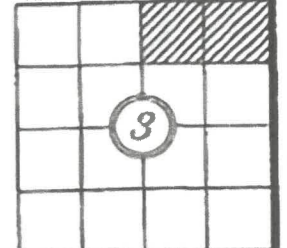
LINE TABLE		
LINE	BEARING	DISTANCE
L14	N15°15'20"W	93.48'
L16	N05°43'14"E	25.52'

CURVE TABLE			
CURVE	DELTA	RADIUS	LENGTH
C8	11°49'32"	415.00'	85.65'
C9	20°58'34"	285.00'	108.00'
C10	11°32'55"	335.00'	87.52'
C11	90°37'15"	60.00'	94.80'
C12	89°22'45"	60.00'	93.60'
C13	90°37'15"	60.00'	94.80'
C14	38°28'12"	335.00'	230.68'

LEGEND

- SECTION CORNER COMMON TO TWO SECTIONS
- QUARTER CORNER COMMON TO ONE SECTION

INDEX LOCATION:
SEC. 3 T. 19N. R. 14E. W.M.



LOT A

SHEET 4

RECORDER'S CERTIFICATE 202511010073

Filed for record this 1st day of Nov 2005 at 10:15 AM in book of SURVEYS at page 205 at the request of

DAVID P. NELSON
Surveyor's Name

ERARD V. PEINT
County Auditor

Deputy County Auditor

SURVEYOR'S CERTIFICATE

This map correctly represents a survey made by me or under my direction in conformance with the requirements of the Survey Recording Act of the request of SCHULER-DEENEH FAMILY RANCH, LLC in SEPT. 2003.

DAVID P. NELSON
DATE

Certificate No. 18092

Encompass
ENGINEERING & SURVEYING

108 EAST 2ND STREET
CLE ELUM, WA 98922
PHONE: (509) 874-7433
FAX: (509) 874-7419

FAMILY FARM SEGREGATION SURVEY

PREPARED FOR
SCHULER-DEENEH FAMILY RANCH, LLC
PORTIONS OF SEC. 3,
TOWNSHIP 19 NORTH, RANGE 14 EAST, W.M.

KITITAS COUNTY		WASHINGTON	
DWN BY	DATE	JOB NO.	
M. FAIOLA	11/2005	05727	
CHKD BY	SCALE	SHEET	
D. NELSON	1"=200'	5 OF 5	